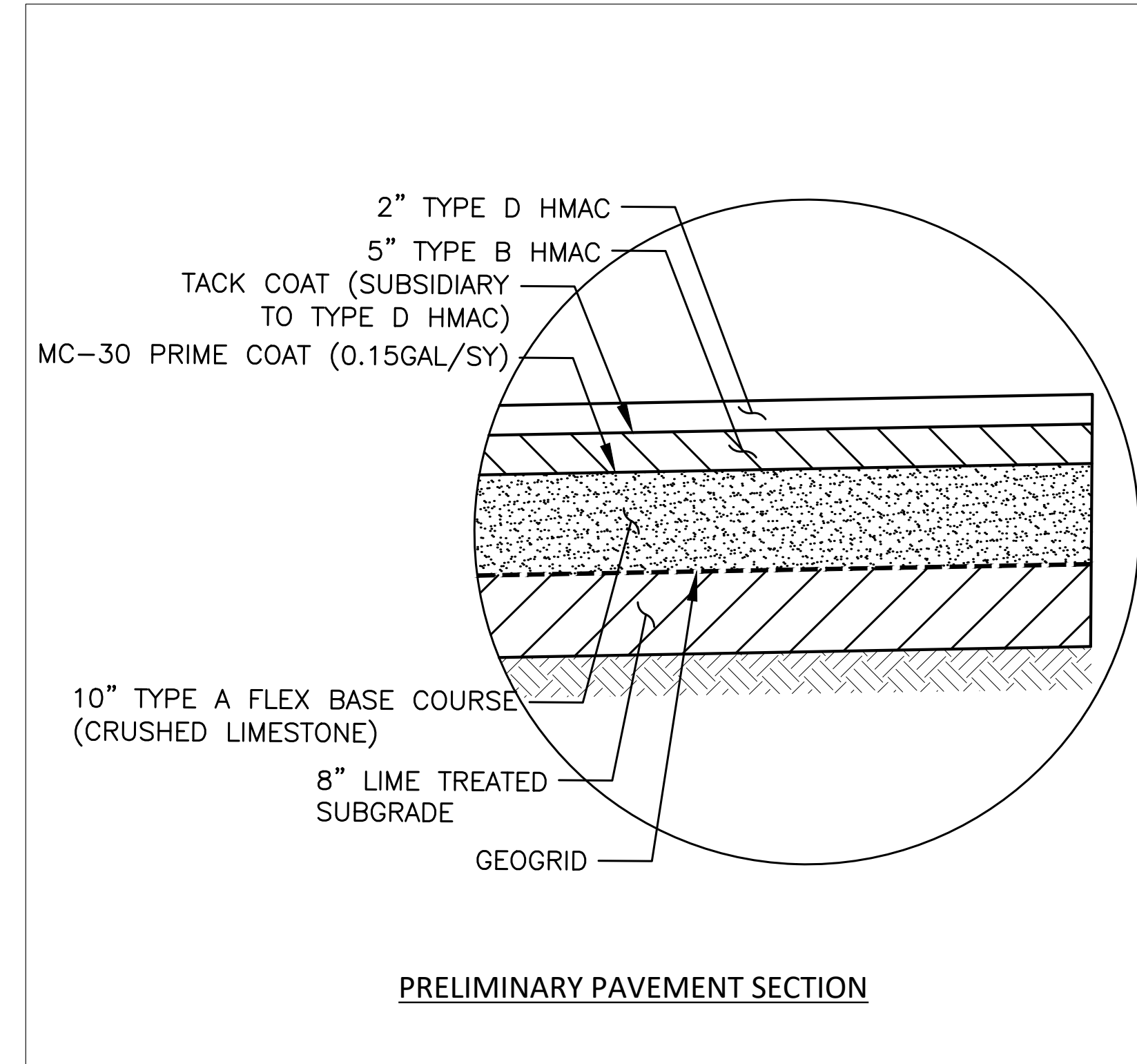
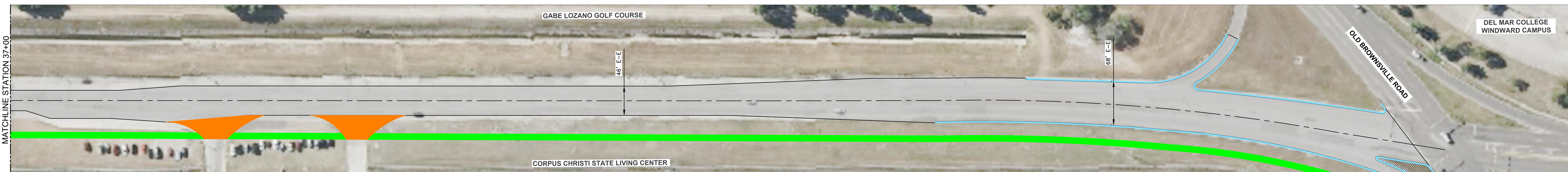
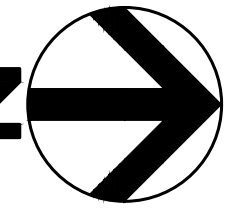
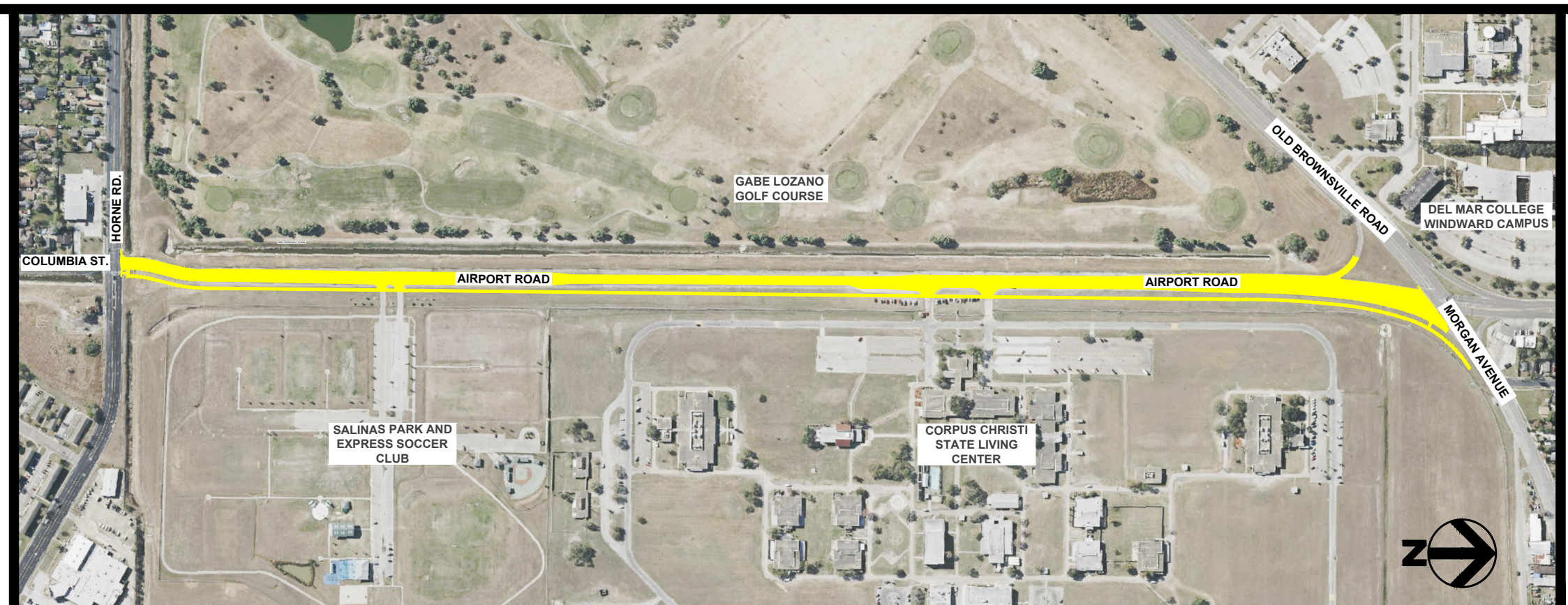


AIRPORT ROAD

HORNE ROAD TO MORGAN AVENUE BOND 2020 STREET IMPROVEMENTS



HDR
HDR Engineering, Inc.
TBP ELS FIRM
Registration No. F-754



BOND

- LEGEND:**
- PROPOSED PAVEMENT
 - PROPOSED MULTI-USE PATH
 - PROPOSED CURB AND GUTTER REMOVE AND REPLACE
 - PROPOSED ADA ACCESSIBILITY RAMP
 - PROPOSED DRIVEWAY REMOVE AND REPLACE
 - EXISTING MEDIAN

